

# MULTI RANGE TRANSMITTER MTA90-P



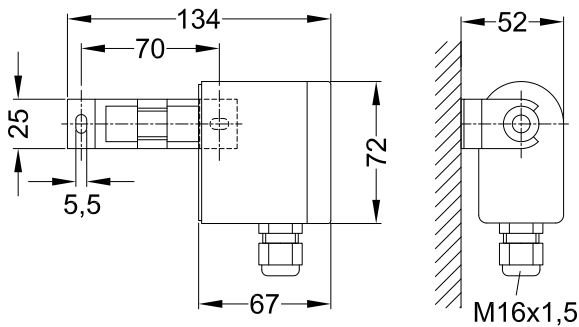
- Resistance element Pt100 class A DIN EN 60751
- 4 calibrated measuring ranges selectable via DIP-Switch
- Double-wall sensor tube as weather protection
- Analogue output 4...20 mA
- Plastic housing ABS, protection class IP 65

The series MTA90-P is designed for temperature measurement in moist environments or outdoors. The case has IP 65 protection, the sensor tube is double walled as rain and run-radiation protection. Electronics running in microcontroller technology with 4 calibrated measuring ranges that can be selected via DIP switches.

### Specifications

Range:	check table pls.
Measurement sensor:	Pt100 to DIN EN 60751
Output:	4...20 mA, linear to temperature
Supply voltage:	13...30 Vdc, any polarity
Case:	plastic ABS, light grey, protection class IP 65 according EN 60529
Weight:	approx. 200 g
Measurement accuracy:	< 0,25 % ± 0,3 °C
EMC:	tested according EN 61000-6-2, EN 61000-6-3, CE mark

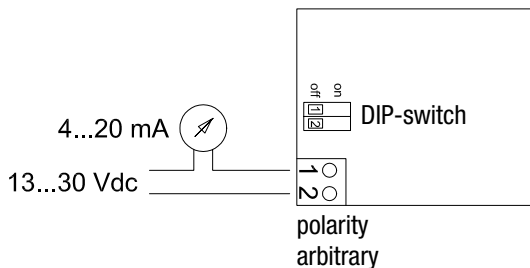
### Dimensions (mm)



### Measurement range Solution 0,1 °C

	DIP 1	DIP 2
1. -30...0...+70 °C	off	off
2. -30...0...+40 °C	on	off
3. -20...0...+60 °C	off	on
4. 0...+50 °C	on	on

### Connections - 2-wire technology



Item no.

### Outdoor temperature transmitter MTA 90-P

2-wire technology, output: 4...20 mA,  
Temperature measuring outdoors or in moist environments,

**Measurement range: Customer-specific presetting required!**

7131