



- Diaphragm element
- Smallest measuring range 0...50 Pa
- Analogue output 0...10 V or 4...20 mA
- Large analogue scale
- Min. and max. contact possible
- Also two-wire transmitter MZP80 available
- Protection class IP 65

Manometer with diaphragm element for indication of pressure, under pressure or differential pressure of non aggressive gas.

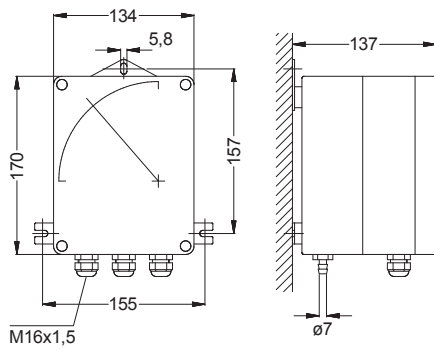
For flow measurements, by the differential pressure method, versions are available with a square graduation.

### Specifications

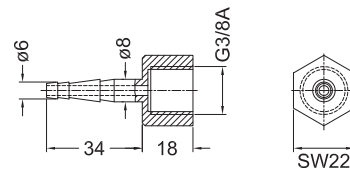
Smallest measurement range:	50 Pa
Largest measurement range:	10.000 Pa
Overload protection:	min. up to 10-times the measurement range
Static pressure:	max. 0,2 bar
Pressure Connections:	hose liners 8 mm ø screw terminals
Electrical Connections:	230 Vac, 24 Vac or 24 Vdc,
Supply voltage:	2-wire technology 13...30 Vdc with supply voltage 0/4...20 mA or 0...10 V or 4...20 mA in 2-wire technology
Output:	
Limit value:	2 Set pointer, adjustable over the full scale range, depending Limit value 1 output relay with potential-free changeover contact
Contact rating:	250 Vac, 6A, non-inductive load
Wall-mounted housing:	ABS, protection class IP 65, dimensions 134 x 170 x 137 mm (WxHxD)
Ambient temperature:	-10...50 °C
Weight:	approx. 1500 g
EMC:	tested according EN 61000-6-2, EN 61000-6-3, CE mark
Tolerance:	± 1,5 %

# DIFFERENTIAL PRESSURE GAUGE PERITACT 80

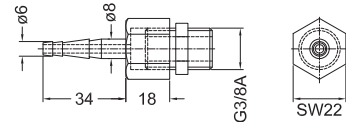
## Dimensions (mm)



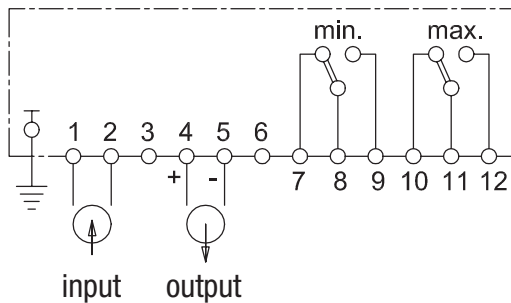
## Asi-P 80



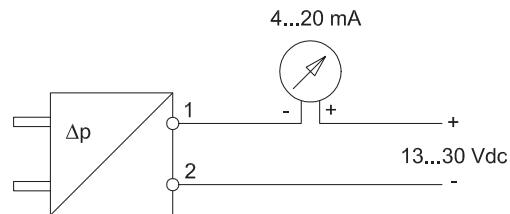
## Asa-P 80



## Connections



## Connections 2-wire technology



	Item no.
<b>Differential pressure gauge PERITACT 80</b>	<b>2415</b>
Wall mount device <b>Measurement range: Customer-specific presetting required!</b>	
<b>Differential pressure gauge PERITACT 80 with min. and max. contacts</b>	<b>2425</b>
Supply voltage 230 Vac or 24 Vac or 24 Vdc, wall mount device <b>Measurement range &amp; supply Voltage: Customer-specific presetting required!</b>	
<b>Differential pressure gauge PERITACT 80 with electrical output signal</b>	<b>2435</b>
0/4...20 mA or 0...10 V, supply voltage 230 Vac or 24 Vac, wall mount device <b>Measurement range &amp; signal output: Customer-specific presetting required!</b>	
<b>Differential pressure gauge PERITACT 80 with electrical output signal and min. / max. contacts</b>	<b>2445</b>
0/4...20 mA or 0...10 V; supply voltage 230 Vac or 24 Vac or 24 Vdc, wall mount device <b>Measurement range &amp; supply voltage &amp; signal output: Customer-specific presetting required!</b>	
<b>2-wire technology MZP 80</b>	<b>7320</b>
Output 4...20 mA, supply voltage 13...30 Vdc, wall mount device <b>Measurement range: Customer-specific presetting required!</b>	
ACCESSORIES	
<b>Mounting set P80</b> with screws, plastic-pressure taps, 2 m plastic hose (7 x 1,5 mm)	<b>24003</b>
<b>Plastic hose</b> 7 x 1,5 mm	<b>24004</b>
<b>Damping throttle</b> for installation in a hose	<b>24005</b>
<b>Connecting piece Asi-P 80</b> , internal thread R 3/8"	<b>24006</b>
<b>Connecting piece Asa-P 80</b> , external thread R 3/8"	<b>24008</b>
SURCHARGE	
<b>Special measuring range</b> as far as possible	<b>24007</b>