

DIFFERENTIAL PRESSURE MANOMETER DA2000



- Diaphragm element
- Smallest measuring range 0...100 Pa
- Wide 270° analogue display - scale length ca. 250 mm
- No supply voltage needed
- Scaling in m³/h possible

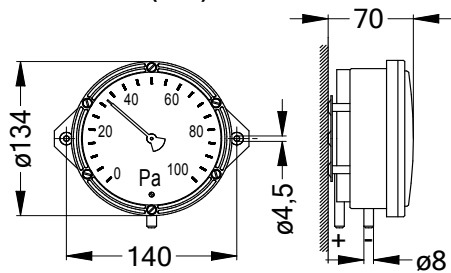
Manometer with a diaphragm element for indication of pressure, under pressure or differential pressure of non aggressive gas.

The Manometer is delivered with accessories for mounting in front or behind a panel or wall installation.

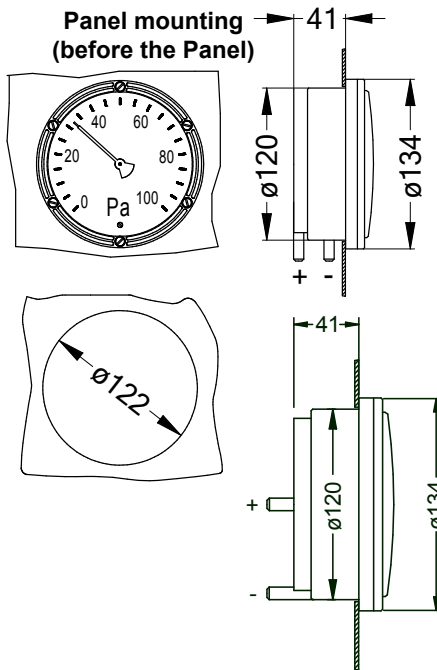
Optional are:

- Two limit value pointers red or green
- Manometer with analogue output signal
- Combination of indicator and pressure switch fitted in a wall mounting bracket

Dimensions (mm) - wall construction



Panel mounting (before the Panel)



Specifications

Measurement range: 0...100 Pa, 0...200 Pa, 0...500 Pa, 0...1000 Pa, 0...2000 Pa, 0...5000 Pa

Display: scale length 270° = approx. 250 mm
 Overload protection: min. up to 10-times measurement span
 Static pressure: max. 0,2 bar
 Pressure Connections: hose liners 8 mm ø
 Housing: ultra mid / ABS, black, transparent cover, round diameter 134 mm ø

Ambient temperature: -10...50 °C
 Protection class: IP 65
 Weight: approx. 400 g
 Tolerance: ± 2 %

Pressure switch

Adjustable switching ranges: 20...300 Pa, 30...400 Pa, 50...500 Pa, 200...1000 Pa, 500...2500 Pa, 1000...5000 Pa

Tolerance of highest and Deepest switching point: ± 15 %
 Switching capacity: max. 1,5 A / 250 Vac
 Lifespan: mechanical more then 10⁶ switching cycles
 Port mapping: Normally Closed Contact - NCC
 Normally Open Contact - NOC
 Supply - COM
 Protection class: IP 54

Analogue signal

Signal range: 0...10 V, 3-wire technology
 supply voltage 15...30 Vdc or 24 Vac
 4...20 mA, 2-wire technology
 supply voltage 12...30 Vdc
 Electrical Connections: rectangular connector 16 mm or colour-coded cable, approx. 50 cm length

	Item no.
Differential pressure manometer DA2000	2532

Measurement range: **Customer-specific presetting required!**

Accessories for mounting in front or behind a panel or wall installation.

ACCESSORIES

Mounting set M-DA2000 with screws, metal-pressure taps, sealing and 2 m plastic hose (7 x 1,5 mm)	25304
1. Limit value pointer red or green - Please choose!	25301
2. Limit value pointer red or green - Please choose!	25302

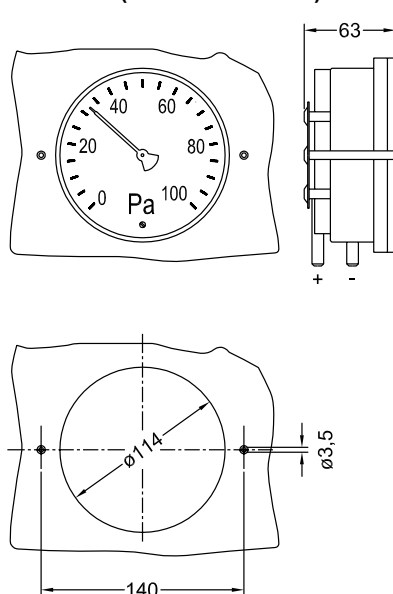
SURCHARGE

Probe measuring range e.g. -20...0...+80 Pa	25303
Scale in m ³ /h	25306
Double scale DA2000 (e.g. m ³ /h and Pa)	25311

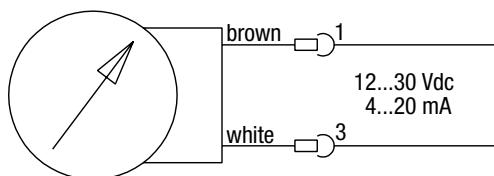


Differential pressure manometer with analogue output - DA2000-A

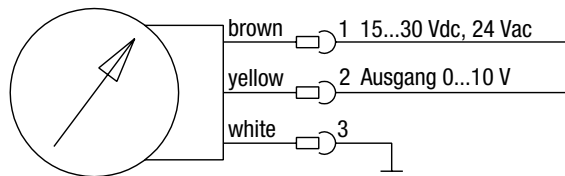
Panel mounting
(before the Panel)



DA2000-A
Connections 2-wire technology



DA2000-A
Connections 3-wire technology



Item no.

Differential pressure manometer with analogue output DA2000-A
Electrical connection via rectangular connectors

Measurement range: **Customer-specific presetting required!** Output: 0...10 V, 3-wire technology 2533

Measurement range: **Customer-specific presetting required!** Output: 4...20 mA, 2-wire technology 2536

Differential pressure manometer with analogue output DA2000-A
Electrical connection via cable, 50 cm long, colour-coded

Measurement range: **Customer-specific presetting required!** Output: 0...1a0 V, 3-wire technology 2534

Measurement range: **Customer-specific presetting required!** Output: 4...20 mA, 2-wire technology 2537

ACCESSORIES

Mounting set M-DA2000 with screws, plastic-pressure taps, 2 m plastic hose (7 x 1,5 mm) 25304

1. Limit value pointer red or green - **Please choose!** 25301

2. Limit value pointer red or green - **Please choose!** 25302

SURCHARGE

Probe measuring range e.g. -20...0...+80 Pa 25303

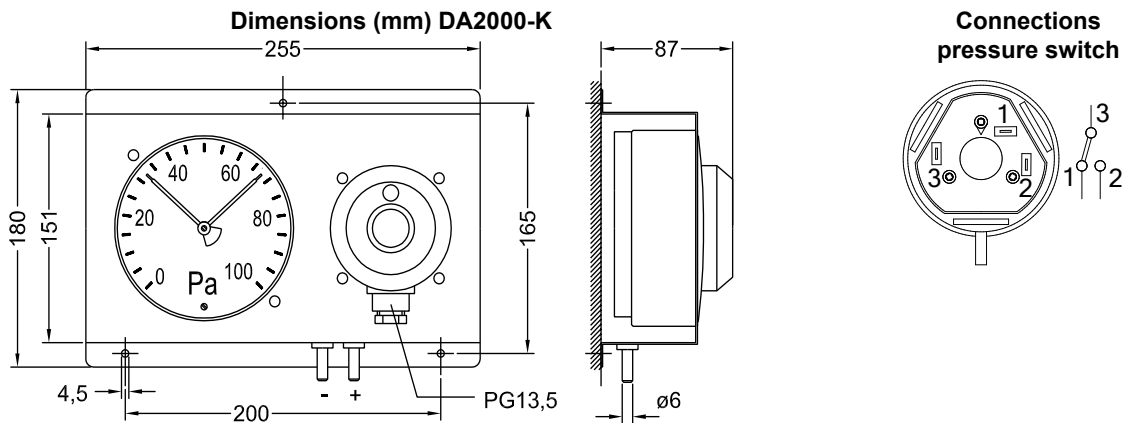
Scale in m³/h 25306

Output square root rad-DA2000 at output 0...10 V and 4...20 mA possible 25307

DIFFERENTIAL PRESSURE MANOMETER DA2000-K



Differential pressure manometer with pressure switch - DA2000-K



	Item no.
Differential pressure manometer with pressure switch DA2000-K	2535
Measurement range: Customer-specific presetting required!	
Combination of manometer and pressure switch installed in a wall bracket	
ACCESSORIES	
Mounting set M-DA2000-K with screws, plastic-pressure taps, 2 m plastic hose (5 x 1,5 mm)	25305
1. Limit value pointer red or green - Please choose!	25301
2. Limit value pointer red or green - Please choose!	25302
SURCHARGE	
Probe measuring range e.g. -20...0...+80 Pa	25303
Scale in m ³ /h	25306
Output square root rad-DA2000 at output 0...10 V and 4...20 mA possible	25307