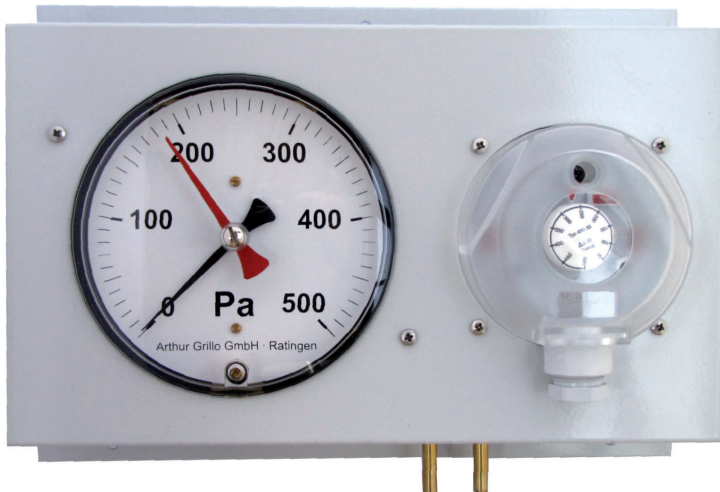




Differential pressure indicator DA2000-K

Differential pressure indicator with pressure switch

- Indicator with pressure switch combined
- Large reading 270° = length of scale about 250 mm
- No supply needed
- Switching capacity of the pressure switch 1,5 A/250 Vac
- Easy wall mounting with 3-point attachment



Description and operation

Safety instructions



Attention! Please read these instructions carefully prior to connecting the device and putting it into operation. The device contains shock hazardous voltage, it may only be connected and put into operation by qualified expert staff.

Application

The differential pressure indicator DA 2000-K is used for indication and control of small differential pressures of non-aggressive gases, especially air. The use of this device for example is in air-conditioning and ventilation technology in the management of fans, the space pressure monitoring or control of filters.

Description

The differential pressure indicator DA2000-K is a low-pressure indicator combined with a pressure switch.

The measured differential pressure affects on a silicon membrane which is driven against a measuring spring. The displacement of the membrane is indicated on a scale by means of a pointer mechanism.

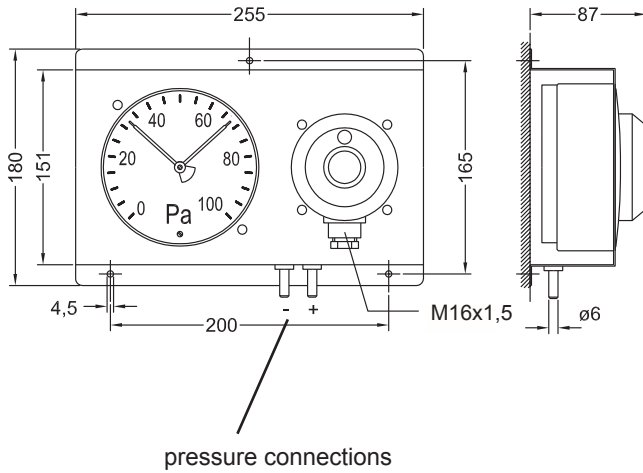
Additionally to this indicator a pressure switch with potential-free contact is located that can be loaded with 1.5 A at 230 Vac.

Both devices are mounted in a common mounting plate.

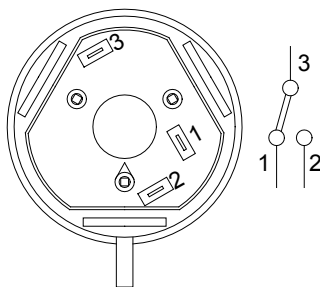
The devices are available in different ranges and switching areas.

As a special feature the indicator can be equipped with one or two limit pointers.

Physical dimensions



Connection of pressure switch



Technical Data

Differential pressure indicator DA 2000-K

Indicator with lead diaphragm element for indication of low pressure, draught or differential pressure of non-aggressive gases.

| | |
|--------------------------|------------------------------------------------------------------------------|
| Ranges: | 0...100 Pa, 0...200 Pa, 0...500 Pa, 0...1000 Pa, 0...2000 Pa, 0...5000 Pa |
| Scale: | 270°, length = approx. 250 mm |
| Overpressure protection: | at least up to 10-fold of measuring range |
| Static pressure: | max. 0,2 bar |
| Case: | ultramid / ABS, black outer diameter 114 mm |
| Ambient temperature: | 0...50 °C |
| Protection class: | IP65 |
| Weight: | approx. 400 g |
| Accuracy: | ± 2 % |

Pressure Switch

| | |
|--------------------------------------------------|----------------------------------------------------------------------------------------|
| Switching areas: | 40...100 Pa, 20...200 Pa, 50...500 Pa, 200...1000 Pa, 500...2500 Pa, 1000...4000 Pa |
| Tolerance on upper and lower switching pressure: | ± 15 % |
| Switching capacity: | max. 1.5 A / 250 Vac |
| Life: | mechanically more than 10 ⁶ switches |
| Contact: | COM - NO - NC |
| Protection class: | IP54 |

Combined device DA 2000-K

Indicator and pressure switch mounted ready for connection with hose liners for 6 mm hoses. Steel mounting bracket light grey powder-coated (RAL 7035) with mounting holes for screws 4 mm.