



- Diaphragm element
- Smallest measuring range 0...50 Pa
- Analogue output 0...10 V or 4...20 mA
- Supply voltage 24 Vac or 24 Vdc
- Version with 3-digit LCD-Display (DS85-A)
- Version with adjustable contact (DS85-GS)
- Square root output signal possible
- Compact size of about ca. 70 mm
- Protection class IP 65

Sensor with diaphragm element for transmission of measured values of pressure, vacuum or differential pressure of non-aggressive gases.

Technical specifications

Measurement ranges:

0.....50 Pa (0,5 mbar)
 0.....100 Pa (1 mbar)
 0.....200 Pa (2 mbar)
 0.....500 Pa (5 mbar)
 0.....1000 Pa (10 mbar)
 0.....2000 Pa (20 mbar)
 0.....4000 Pa (40 mbar)
 0.....6000 Pa (60 mbar)
 0...10000 Pa (100 mbar)



Overload protection:
 Static pressure:
 Pressure connector:
 Housing:

0,2 bar
 max. 0,2 bar
 hose liners 5 mm ø
 ultra mid, protection class IP 65,
 diameter 70 mm, depth 50 mm

Output:

3-wire circuit:

0...10 V (max 2 mA) linear,
 square root surcharge

2-wire circuit:

4...20 mA



Supply voltage:

24 Vdc or 24 Vac, ± 15 %
 12...30 Vdc with 2-wire technology

Display:

only in combination with three-wire system
 3-digit LCD display, character height 9 mm,
 indications in pressure units

Switch output:

open collector, max 50 mA
 potentiometer witch scale 0...100 %

Nominal value:

adjustable 0,25...5 %

Hysteresis:

adjustable 0...7 s

Time delay:

min. or max. (adjustable on dispatch)

Connection:

3- or 4-wires cable, 50 cm length, colour
 coded, electronic protected against false
 polarity

Ambient temperature:

-10...50 °C

Weight:

approx. 90 g

Usage position:

vertical, position dependence by tuning of
 90° approx. 0,25 mbar

EMC:

tested according EN 61000-6-2,
 EN 61000-6-3, CE mark

Influences limits:

Zero error:

± 0,75 %

Sum of linearity and hysteresis:

± 0,5 %

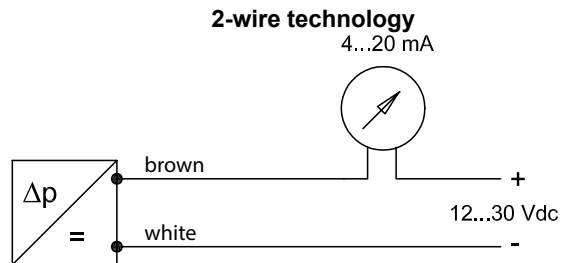
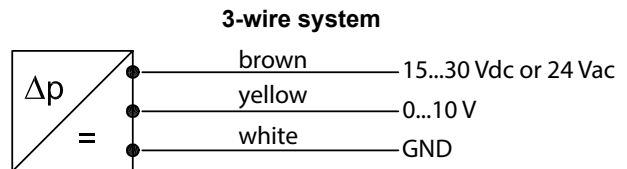
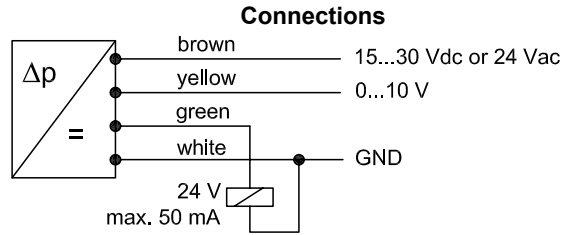
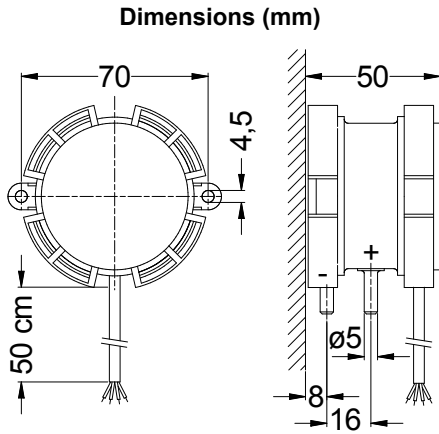
Temperature drift, zero point:

± 0,3 % / 10 K

Temperature drift, span:

± 0,2 % / 10 K

DIFFERENTIAL PRESSURE SENSOR DS85



	Item no.
Differential pressure sensor DS85	2510
Measurement range: Customer-specific presetting required!	
Output: 0...10 V, 3-wire technology; supply voltage 24 Vac or 24 Vdc	
Differential pressure sensor DS85Z	2511
Measurement range: Customer-specific presetting required!	
Output: 4...20 mA, 2-wire technology; supply voltage 12...30 Vdc	
ACCESSORIES	
Mounting set M-DS with screws, hose liners and 2 m plastic hose (4 x 1,5 mm)	25110
SURCHARGE	
Digital display (only for 3-wire technology - 2510)	25101
Limit-contact min. or max. (only for 3-wire technology - 2510)	25102
Min. or max.: Customer-specific presetting required!	
Special measuring range as far as possible	25103
Output square root 0...10 V or 4... 20 mA version	25107
Test certificate	25108